

ROUND

Surfaced luminaire. The body made of steel sheet, powder-coated in v

Oprawa zwieszana. Korpus wykonany z blachy stalowej, malowany pr
Dyfuzor daje rozproszone, komfortowe światło.



*total length 1200mm (fixture + suspension) | oprawy z zawiesiem maja

T5 + TC-L | G5 + 2G11



14861.00.00 5x28W T5 + 2x24W T5 + 2x18W TC-L
14861.01.00 5x39W T5 + 2x24W T5 + 2x24W TC-L
14861.02.00 10x36W TC-L



 **05** black RAL 9005  **06** grey RAL 9006  **10** w
 **92** red glossy RAL 2002  **90** orange glossy RAL 2000

287 LIRA LIGHTING

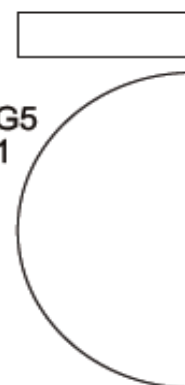
ROUND



14351.00.00 2x39W + 6x24W + 2x24W | T5 G5 + T5 G5
14351.01.00 2x21W + 6x14W + 2x18W | +TCL 2G11
14351.02.00 2x39W + 2x24W | T5 | G5
14351.03.00 2x39W + 4x24W | T5 | G5
14351.04.00 6x18W | T8 | G13
14351.05.00 8x14W | T5 | G5
14351.06.00 8x24W | T5 | G5



14361.00.00 5x28W + 2x14W + 2x18W | T5 G5 + T5 G5
14361.01.00 5x39W + 2x24W + 2x24W | +TCL 2G11
14361.02.00 2x18W + 2x30W | T8 | G13
14361.03.00 2x39W + 2x14W | T5 | G5
14361.04.00 2x39W + 4x14W | T5 | G5



TCF / TCS



14371.124.00 1x24W | TCF | 2G10
14371.029.00 2x9W | TCS | 2G7

TC-DEL | TC-TEL | T5c



14381.226.00 2x26W | TC-DEL | G24q-3
14381.232.00 2x32W | TC-TEL | Gx24q-3
14381.242.00 2x42W | TC-TEL | Gx24q-4
14381.122.00 1x22W | T5c | 2Gx13

T5c | 2Gx13



14391.122140.00 1x22W + 1x40W
14391.122155.00 1x22W + 1x55W
14401.140.00 1x40W
14401.155.00 1x55W

*total length 1200mm (fixture + suspension) | oprawy z zawiesiem maja

ROUND

TCF / TCS



II III V VI VII VIII IX X XI XII XIII XIV XV XVI XVII XVIII XIX XX XXI XXII XXIII XXIV XXV XXVI XXVII XXVIII XXIX XXX XXXI XXXII XXXIII XXXIV XXXV XXXVI XXXVII XXXVIII XXXIX XL XLI XLII XLIII XLIV XLV XLVI XLVII XLVIII XLIX L LI LII LIII LIV LV LVI LVII LVIII LIX LX LXI LXII LXIII LXIV LXV LXVI LXVII LXVIII LXIX LXX LXXI LXXII LXXIII LXXIV LXXV LXXVI LXXVII LXXVIII LXXIX LXXX LXXXI LXXXII LXXXIII LXXXIV LXXXV LXXXVI LXXXVII LXXXVIII LXXXIX LXXXX

14301.124.00 1x24W | TCF | 2G10
14301.029.00 2x9W | TCS | 2G7

P44 V CE ±

14311.226.00 2x26W | TC-DEL | G24q-3
14311.232.00 2x32W | TC-TEL | Gx24q3
14311.242.00 2x42W | TC-TEL | Gx24q4
14311.122.00 1x22W | T5c | 2Gx13

T5c | 2Gx13

P44 V CE ±

14321.122140.00 1x22W + 1x40W
14321.122155.00 1x22W + 1x55W
14321.140.00 1x40W
14321.155.00 1x55W

T5c | 2Gx13

P44 V CE ±

14331.122140.00 1x22W + 1x40W
14331.122155.00 1x22W + 1x55W
14331.122160.00 1x22W + 1x60W
14331.140160.00 1x40W + 1x60W
14331.155.00 1x55W
14331.160.00 1x60W
14331.140.00 1x40W

2xTCL + 4xT5 | 2G11+ G5

P44 V CE ±

14341.224424.00 2x24W + 4x24W | TCL 2G11 + T5 G5
14341.218414.00 2x18W + 4x14W | TCL 2G11 + T5 G5

*total length 1200mm (fixture + suspension) | oprawy z zawiesiem maja

289 LIRA LIGHTING

ROUND

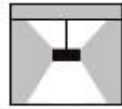


Stadion we Wrocławiu | Stadion Wrocław Poland

Stadium we Wrocławiu | Stadium, Wrocław, Polaria



Calypso Fitness, Gdańsk



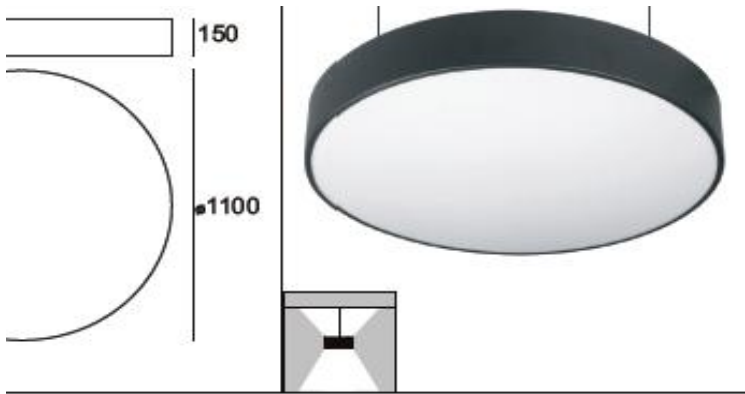
white. White polycarbonate diffuser.

szkowo, dyfuzor poliwęglanowy biały.

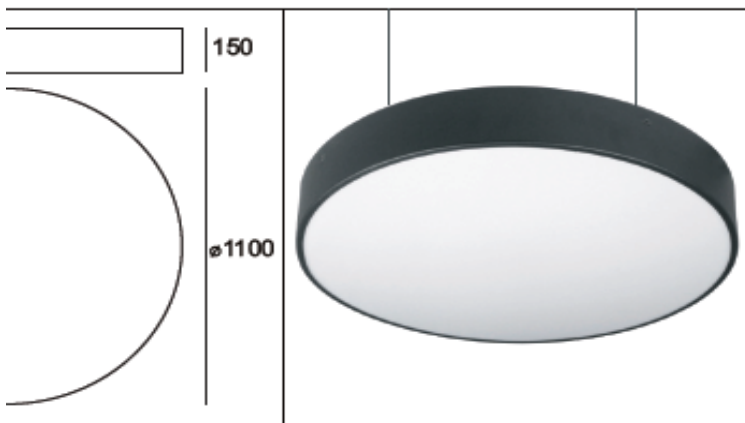
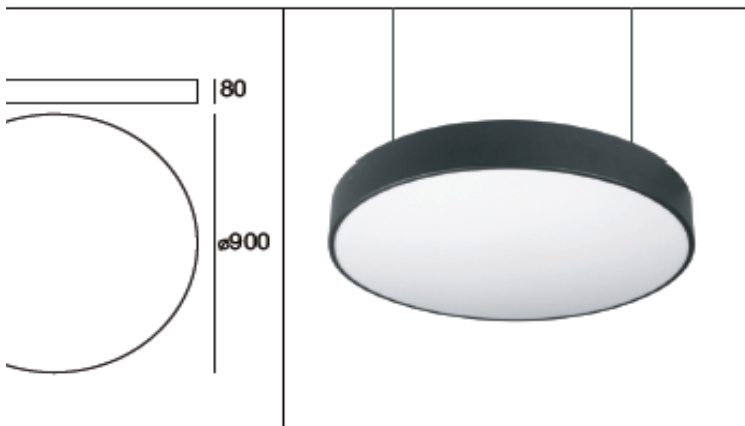


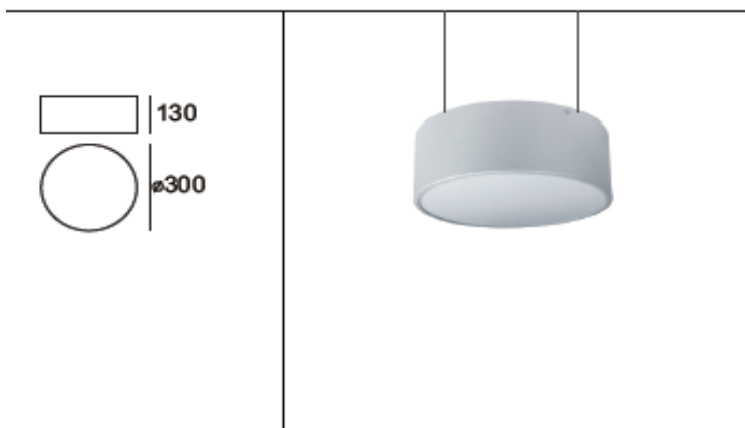
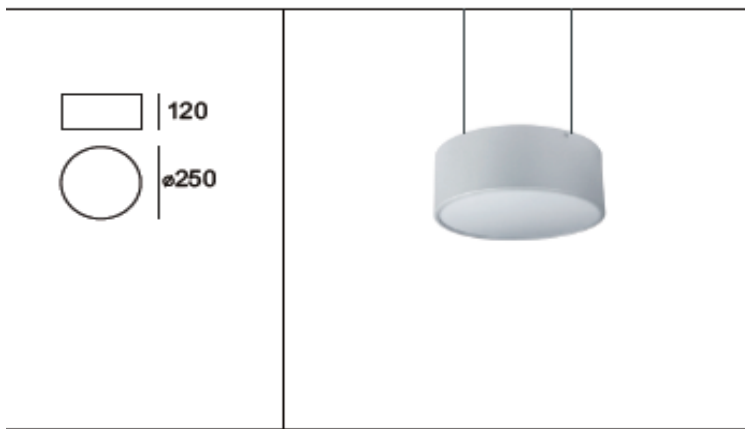
długość 1200mm





hite RAL 9010 **95** black glossy RAL 9005
 91 white glossy RAL 9010

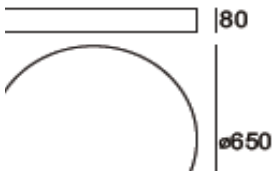
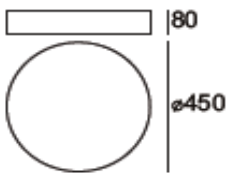
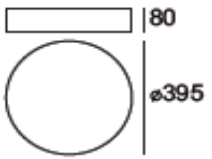
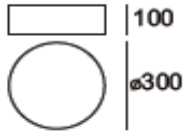




długość 1200mm

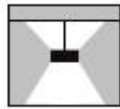
LIRA LIGHTING 288







długość 1200mm





LIRA LIGHTING 290